

SCH50000

Estintore carrellato pressurizzato
Stored pressure wheeled extinguisher

STAINLESS STEEL
CYLINDER



Rev. 00 - 02/2015

L'estintore carrellato è utilizzato in ambienti ad alto carico d'incendio, che richiedono grandi capacità estinguenti e performance ai massimi livelli. La nostra risposta nasce da oltre 50 anni di storia nell'antincendio, offrendo una gamma di estintori carrellati ai vertici della categoria. Il modello pressurizzato è pronto all'uso, e dotato di tutti i sistemi necessari a garantire livelli di sicurezza elevati anche in caso di sovrappressioni e performance di estinzione ai massimi della categoria. L'azienda opera in conformità ad un sistema di gestione della qualità certificato ISO9001.

Tutti gli estintori sono realizzati con materie prime provenienti da fornitori riconosciuti e di primaria importanza; tutti i prodotti acquistati sono sottoposti a severi controlli qualitativi per garantire performance elevate e qualità eccellente. Ogni estintore realizzato è verificato e testato, per eliminare qualsiasi tipo di perdita.

Gli estintori realizzati dalla Pii srl, sono progettati e costruiti in conformità alla normativa italiana UNI 9492 e alla normativa sui recipienti in pressione 97/23/CE PED.

AGENTE ESTINGUENTE • AFFF foam is suitable to extinguish the fires of A and B class. Wood, paper and fabrics (A) . flammable liquids, oil, grease and paint (B).

The foam is the most used fire-extinguishing agent in industry, such as refineries, storage of flammable materials etc. The foams are made primarily of water and substances fluorinated surfactants and filming foaming. Mixing with the air, the foam creates a layer on the flammable liquid, called film, which separates the fuel (flammable liquid) from the combustible agent (oxygen); furthermore, the large amount of water contributes to the liquid cooling, knocking down the temperature and decreasing the formation of vapors that may cause the firing. In civil use the foam is used as a valid alternative to the powder, the foam leaves minimal residues after use as the jet can be easily directed, it maintains a good visibility when used especially in closed environments, it does not damage computer, printers.

CAMPO DI UTILIZZO • Questo estintore è stato progettato per essere utilizzato in ambito industriale. NON È UTILIZZABILE SU APPARECCHI ELETTRICI IN TENSIONE.

MANUTENZIONE • Riferirsi a quanto riportato sulla normativa UNI9994-2013, e sul libretto di istruzioni fornito in dotazione con l'estintore. Utilizzare solo parti di ricambio originali: l'utilizzo di parti non originali comporta il decadimento delle omologazioni dell'estintore.



VIA SITYA YOMO, 11
20080 PASTURAGO (MI) - Italy
Tel. +39 02 90093734
Fax +39 02 90092622
web: www.pii.it
E-mail: info@pii.it

SCHIUMA / FOAM

AFFF 6%

50 LT

A - B 4

The wheeled fire extinguisher is used in fire high risk areas, which requires high performance extinguishing levels. Pii company answer to this issue comes from over 50 years of history in fire fighting field with a top range of wheeled extinguishers. The stored pressure version is ready to use and comes with all the necessary systems to ensure high safety levels in case of overpressure and high extinguishing performance. Pii company operates in accordance with ISO 9001 Quality Management System. All fire extinguishers are made with raw materials from approved and primary importance suppliers; all purchased products undergo strict quality tests to ensure high performance and excellent quality. Each extinguisher is checked and tested, to prevent any kind of leakage.

Approvals: UNI 9492 (Italian Standard), 97/23/CE PED.

AFFF FOAM

AFFF foam is suitable to extinguish the fires of A and B class. Wood, paper and fabrics (A) . flammable liquids, oil, grease and paint (B). The foam is the most used fire-extinguishing agent in industry, such as refineries, storage of flammable materials etc. The foams are made primarily of water and substances fluorinated surfactants and filming foaming. Mixing with the air, the foam creates a layer on the flammable liquid, called film, which separates the fuel (flammable liquid) from the combustible agent (oxygen); furthermore, the large amount of water contributes to the liquid cooling, knocking down the temperature and decreasing the formation of vapors that may cause the firing. In civil use the foam is used as a valid alternative to the powder, the foam leaves minimal residues after use as the jet can be easily directed, it maintains a good visibility when used especially in closed environments, it does not damage computer, printers...

APPLICATION FIELD - FOAMS

This fire extinguisher has been designed to be used in the industrial field. IT CANNOT BE USED ON LIVE ELECTRICAL EQUIPMENT.

MAINTENANCE

In order to maintain the extinguisher in perfect working conditions, you must refer to the regulations in force in the country of installation. In case of lack of specific legislation, the maintenance should be performed as specified by the Italian Standard UNI 9994-1:2013. Use only original spare parts: the use of non-original parts implies the loss of the extinguisher approvals.

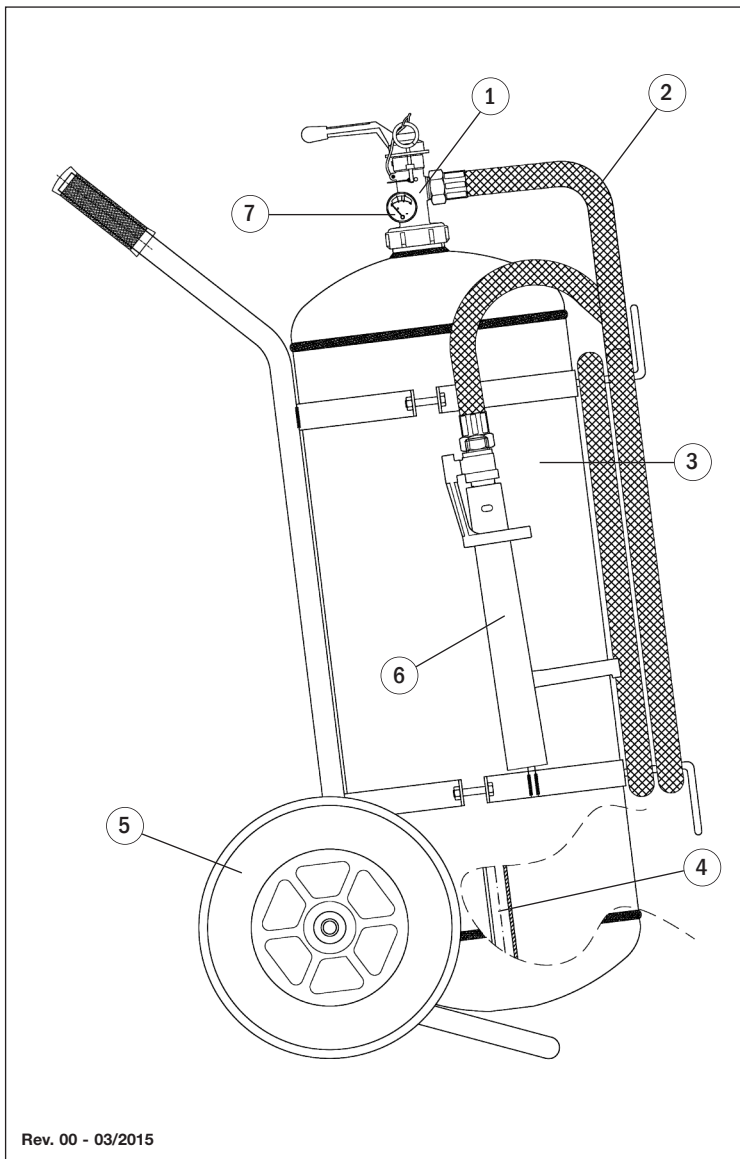


CARATTERISTICHE TECNICHE

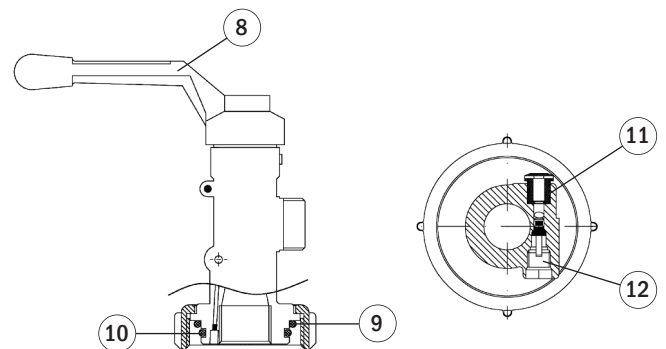
TECHNICAL DATA

denominazione commerciale / trade name	SCH50000	
omologazione / approval	UNI 9492	
n° approvazione / approval number	MI051ECSCH50AB4007	
classi di spegnimento / extinguishing classes	A - B 4	
carica nominale / charge nominal	50 l schiuma AFFF 6%	50 l foam AFFF 6%
pressione d'esercizio / working pressure	15 bar	
valvola di sicurezza / safety valve	22 bar \pm 2 bar	
temperatura d'utilizzo / utilization temperature	+5 °C +60 °C	
tempo di scarica / discharge time	40 s	
gittata efficace / effective range	10 m	
serbatoio / cylinder	fondi: imbutitura – corpo: calandratura e saldatura	bottom: drawing – body: calendering and welding
acciaio / steel	Inox 304	
diametro serbatoio / diameter cylinder	315 mm	
pressione di collaudo serbatoio / cylinder testing pressure	23 bar	
pressione di scoppio serbatoio / cylinder bursting pressure	80 bar	
trattam. esterno / external treatment	sabbatura, verniciatura, 80 μ resina poliesteri rosso RAL 3000	sanding, 80 μ painting with red polyester resin RAL 3000
trattamento interno / internal treatment	non previsto none	
dimensioni (L x A x P) / dimensions (W x H x D)	470 x 1075 x 745 mm	
peso totale / total weight	80 kg	

ACCESSORI E RICAMBI / FITTINGS AND SPARE PARTS



1 valvola	valve	VALE2001
2 manichetta	hose	MPRO3050
3 etichetta	label	ETI50000
4 pescante	syphon	PES03050
5 ruota	wheels	RU030000
6 mitra	nozzle	O2MIT005
7 manometro	gauge	MANS0104
8 leva	hand grip	LEV00001
9 O-ring esterno	external O-ring	OR020000
10 O-ring interno	internal O-ring	OR200001
11 disco di sicurezza	safety disk	DIS00005
12 valvola di controllo	check valve	PIS00006
00 schiuma AFFF 6%	foam AFFF 6%	SCH00000



VIA SITYA YOMO, 11
 20080 PASTURAGO (MI) - Italy
 Tel. +39 02 90093734
 Fax +39 02 90092622
 web: www.pii.it
 E-mail: info@pii.it